



Probit function technical support document

Date: 6 June 2017  
Document id: 20170606-dichlorosilane-interim  
Status: Interim  
Author: Marc Ruijten, CrisisTox Consult  
Commissioned by RIVM

substance name	CAS number
<b>Dichlorosilane</b>	<b>4109-96-0</b>

This document describes the derivation of a probit function for application in a quantitative risk analysis (QRA). The probit function has been derived according to the methodology described in RIVM report 2015-0102.

This document has been checked for completeness by the Netherlands' National Institute of Public Health and the Environment (RIVM). The contents of this document, including the probit function, has been approved by the Dutch Expert Panel on Probit Functions on scientific grounds. External parties have had the opportunity to comment on the derivation of the proposed probit function. The status of this document has now been raised to "interim", pending a decision on its formal implementation.

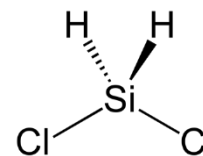
The decision on actual implementation depends on the results of a further consequence analysis.

Detailed information on the procedures for the derivation, evaluation and formalization of probit functions is available at <http://www.rivm.nl/>.

# Technical support document Dichlorosilane

## 1. Substance identification

CAS-number:	4109-96-0
IUPAC name:	Silicon Dichloride
Synonyms:	Dichlorosilane
Molecular formula:	Si-H <sub>2</sub> Cl <sub>2</sub>
Molecular weight:	101.1 g/mol
Physical state:	gas (at 20°C and 101.3 kPa)
Boiling point:	8°C (at 101.3 kPa)
Vapour pressure:	163 kPa (at 20°C)
Saturated vapor conc:	gas (at 20°C)
Conversion factor:	1 mg/m <sup>3</sup> = 0.238 ppm (at 20°C and 101.3 kPa) 1 ppm = 4.20 mg/m <sup>3</sup> (at 20°C and 101.3 kPa)
Labelling:	Human H302, 332, 314, 335



## 2. Mechanism of action and toxicological effects following acute exposure

**Special considerations:** Dichlorosilane hydrolyses very quickly to form a silicon dioxide dust and a hydrochloric acid vapor or aerosol. In experimental animal inhalation studies, it is impossible to maintain an atmosphere with only the parent compound, even at a low relative humidity.

The toxicity of dichlorosilane is thought to result from the HCl hydrolysis product, and is quantitatively and qualitatively like that of HCl. This document will provide evidence for such a relationship, and derive the probit function for this material based on the probit relation of hydrogen chloride.

**Acute effects:** The main target organs and tissues for inhalation exposure to HCl are the cornea, conjunctiva, skin and respiratory tract. HCl dissolves in the mucous membranes of the respiratory tract and eyes to form hydrochloric acid, a strong acid that produces coagulative necrosis. The health endpoints are all related to the irritative and corrosive properties of HCl. Symptoms of high exposure are labored breathing, secretions from nose, mouth and eyes and prostration. Damage occurs in the respiratory system, particularly the upper respiratory tract resulting in mucus secretion, upper airway and/or pulmonary oedema and laryngospasm. The resulting hypoxemia will cause CNS and cardiovascular (myocardial ischemia) effects. Lethality results when the respiratory damage proceeds to inflammation, degeneration and necrosis of affected tissue, atelectasis, emphysema and finally death (AHLS 2014, NRC 2004).

**Long-term effects:** Chronic exposure produces essentially the same type of health effects. Reactive Airways Dysfunction Syndrome, an acquired asthma-like condition has been described to develop after single exposure to a high concentration of HCl. Symptoms occur within minutes to hours after the initial exposure and may persist as non-specific bronchial hyperresponsiveness for months to years.

## 3. Human toxicity data

No informative reports on human toxicity following acute inhalation exposure were identified in which details about both health effects and the exposure have been documented in sufficient detail. Three studies of human exposure to HCl were identified and described in the HCl probit TSD.

#### 4. Animal acute toxicity data

During the literature search the following technical support documents and databases were consulted:

1. AEGL final TSD, ERPG document and EU RAR and reference database for dichlorosilane, covering references before and including 1995.
2. An additional search covering publications from 1980 onwards was performed in HSDB, MEDline/PubMed, Toxcenter, ECHA, IUCLID, RTECS, IRIS and ToxNet with the following search terms:
  - Substance name and synonyms
  - CAS number
  - lethal\*
  - mortal\*
  - fatal\*
  - LC<sub>50</sub>, LC
  - probit
3. Unpublished data were sought through networks of toxicological scientists.

Animal lethal toxicity data focused on acute exposure are described in Appendix 1. A total of 1 study was identified -with 1 dataset for 1 species- with data on lethality following acute inhalation exposure of dichlorosilane. No datasets were assigned status A for deriving the human probit function, one dataset was assigned status B and none were assessed to be unfit (status C) for human probit function derivation.

#### Sensory irritation

No data on sensory irritation of dichlorosilane were identified. Since the probits for dichlorosilane are based on hydrogen chloride content, the sensory irritation data on hydrogen chloride are presented below.

A total of 5 studies were identified in which sensory irritation of hydrogen chloride was studied. In these studies the following RD<sub>50</sub> values were observed:

**Table 1** Sensory irritation data for hydrogen chloride.

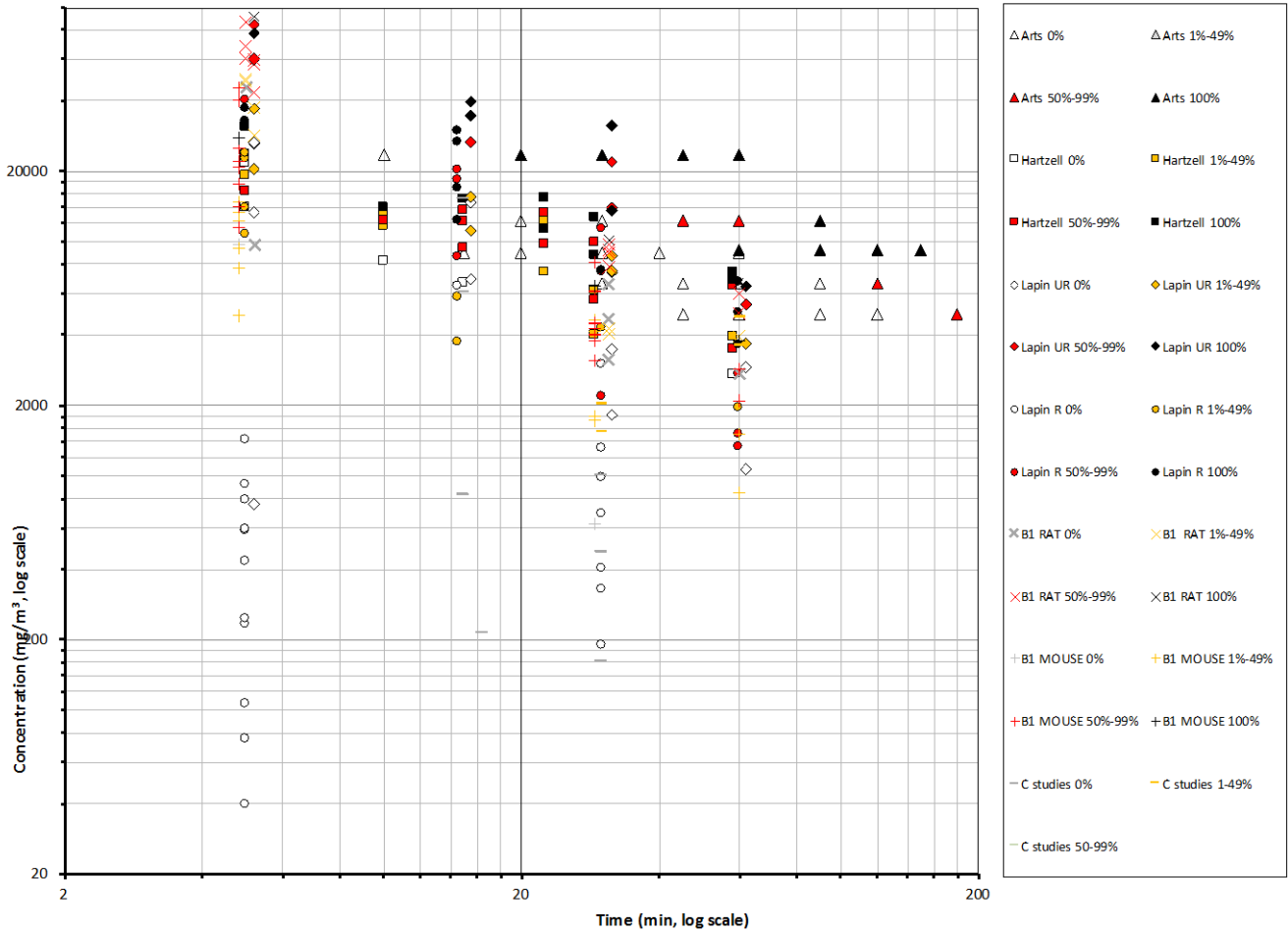
Species/strain	RD <sub>50</sub> (mg/m <sup>3</sup> )	Exposure duration (min)	Author/year
Mouse	470 <sup>P</sup>	10	Barrow et al 1977
Swiss Mouse	520 <sup>NS</sup>	3	Terrill et al 1976
ChR-CD rat	1160 <sup>P</sup>	10	Gardner 1980
Rat	605 <sup>P</sup>	30	Arts et al 2000
Rat	608 <sup>NS</sup>	5-60	Lapin 1981

P: a plateau was reached, NS: not specified if a plateau in response was reached.

While in the rat the respiratory rate decreases during acute exposure to HCl (the RD<sub>50</sub> value appears to be around 600-1200 mg/m<sup>3</sup>), exposure of baboons to 787-885 mg/m<sup>3</sup> resulted in an increased respiratory rate and minute volume, without a change in tidal volume (Kaplan *et al* 1993).

#### 5. Probit functions from individual studies

All available acute lethality data on hydrogen chloride are provided in Figure 1.



1 **Figure 1** All available acute lethality data for hydrogen chloride  
 2  
 3 All A and B1 studies were initially selected for derivation of the animal probit function  
 4 for hydrogen chloride. The data that were selected for primary analysis of the animal  
 5 probit function are presented in Table 2 and Figure 3.  
 6  
 7 To enable intra-species pooling, LC<sub>50</sub>-values of B1-studies were scaled using the  
 8 average rat n-value of 1.367 for HCl with the following formula:  
 9

$$LC_{50,c} = LC_{50,test} \left( \frac{t_{test}}{t_c} \right)^{(1/n)}$$

- 10  
 11 With LC<sub>50,c</sub> = scaled LC<sub>50</sub> value for common exposure duration t<sub>c</sub>  
 12 LC<sub>50,test</sub> = observed LC<sub>50</sub> value for tested exposure duration  
 13 t<sub>c</sub> = common exposure duration for intra-species pooling  
 14 t<sub>test</sub> = tested exposure duration  
 15  
 16

1 **Table 2** Data selected for initial analysis of the animal probit function of Hydrogen  
 2 Chloride.

Study ID	Species	Probit (C in mg/m <sup>3</sup> , t in min)	LC <sub>50</sub> at tested exposure duration (mg/m <sup>3</sup> ) 95% C.I.	LC <sub>50</sub> , 30 minutes (mg/m <sup>3</sup> ) 95% C.I. ( <i>underline italic for scaled values</i> )	n-value 95% C.I.
A.1	Rat	-73.9 + 6.67×lnC + 4.19×Int		15580 (13350 - 18770)	1.59 (1.26–1.92)
A.2	Rat	-21.6 + 2.39×lnC + 1.64×Int		6671 (5527 - 7730)	1.46 (1.12-1.79)
A.3	Rat*	-12.6 + 1.46×lnC + 1.39×Int		6791 (5718 - 8006)	1.05 (0.88-1.21)
A3	Rat**	-14.6 + 1.62×lnC + 1.78×Int		4322 (3613 - 5064)	1.03 (0.87-1.19)
A3	Rat***	-31.8 + 2.85×lnC + 3.13×Int		9690 (8887 - 10550)	1.10 (0.97-1.22)
B1.1	Rat	30 min LC <sub>50</sub>		7684 (6906 - 8496)	N/A
B1.2	Mouse	30 min LC <sub>50</sub>		3616 (3093 - 4081)	N/A
B1.3	Rat	60 min LC <sub>50</sub>	5502 - 60 min (4656 - 7691)	<u>9136</u>	N/A
B1.4	Rat	60 min LC <sub>50</sub>	4748 - 60 min (4174 - 5246)	<u>7884</u>	N/A
B1.5	Mouse	60 min LC <sub>50</sub>	1648 - 60 min (1219-2138)	<u>2796</u>	N/A
B1.6	Rat	5 min LC <sub>50</sub>	62220 - 5 min (56770-69150)	<u>16776</u>	N/A

3 \* all data: pooled data from restrained and unrestrained animals

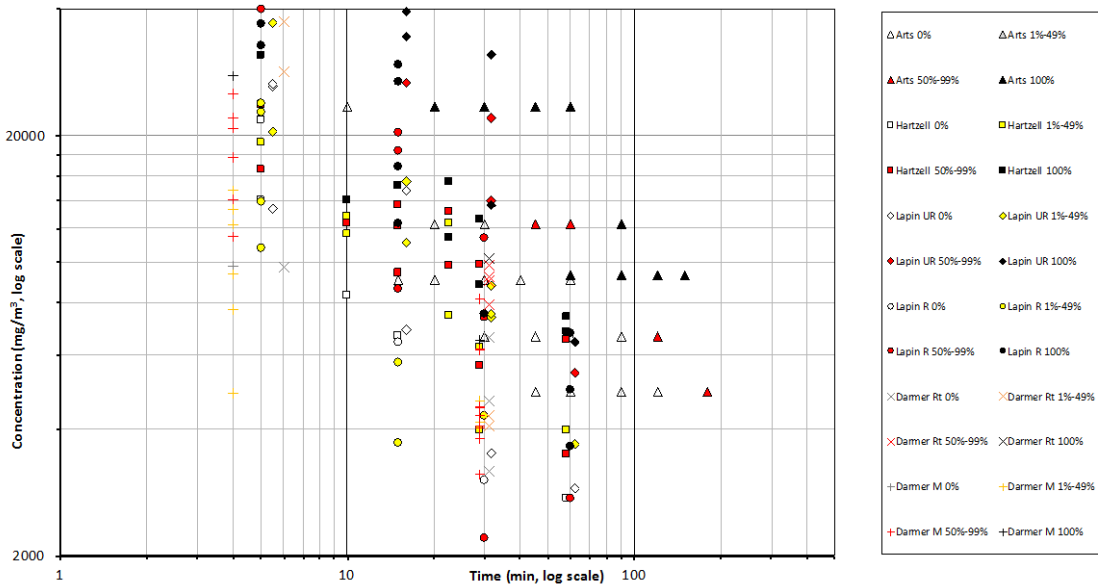
4 \*\* restrained animals

5 \*\*\* unrestrained animals

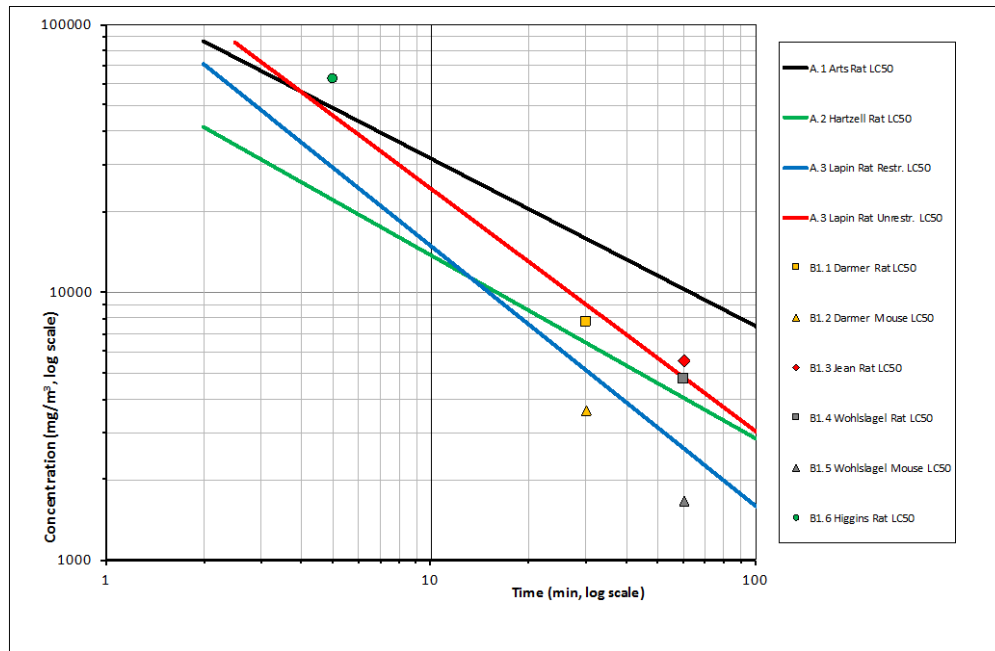
6

7

1 The data of the 3 A studies and 4 B1 studies are presented graphically below.



2 **Figure 2** Data selected for the initial analysis for the derivation of the animal probit  
 3 function of hydrogen chloride (all A studies and B1 studies).  
 4  
 5



6  
 7 **Figure 3** LC<sub>50</sub> values of A and B1 datasets for hydrogen chloride, over time where  
 8 available.  
 9

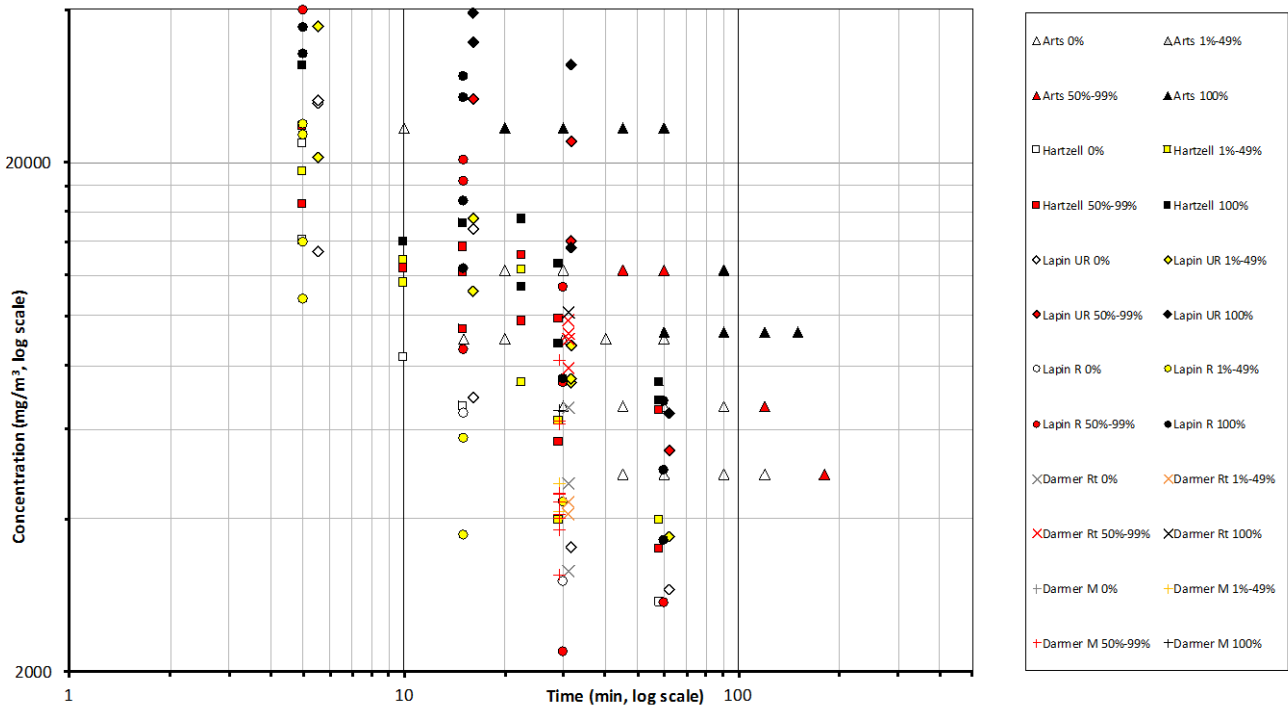
10 Based on visual inspection and the criteria outlined in the guideline the data from all A  
 11 studies and from B1 studies in rats and mice with 30- and 60-minute data were  
 12 selected for the final dataset for the derivation of the animal probit function. Mice  
 13 appear to be substantially more susceptible to the acute effects of HCl exposure.  
 14 Despite the unexplained difference in response to restraining, all data from Lapin  
 15 (1981) are used for the final analysis. The final data eligible for calculating the animal  
 16 probit function contains 11 datasets from 7 studies and includes data from 2 animal  
 17 species. The 5-minute rat data from study B1.6 serve as supportive evidence.

1 **Table 3** Data selected for the derivation of the animal probit function of hydrogen  
 2 chloride.

Study ID	Species	Probit (C in mg/m <sup>3</sup> , t in min)	LC <sub>50</sub> at tested exposure duration (mg/m <sup>3</sup> ) 95% C.I.	LC <sub>50</sub> , 30 minutes (mg/m <sup>3</sup> ) 95% C.I. ( <i>underline italic for scaled values</i> )	n-value 95% C.I.
A.1	Rat	-73.9 + 6.67×lnC + 4.19×Int		15580 (13350 - 18770)	1.59 (1.26–1.92)
A.2	Rat	-21.6 + 2.39×lnC + 1.64×Int		6671 (5527 - 7730)	1.46 (1.12-1.79)
A.3	Rat*	-12.6 + 1.46×lnC + 1.39×Int		6791 (5718 - 8006)	1.05 (0.88-1.21)
B1.1	Rat	30 min LC <sub>50</sub>		7684 (6906 - 8496)	N/A
B1.2	Mouse	30 min LC <sub>50</sub>		3616 (3093 - 4081)	N/A
B1.3	Rat	60 min LC <sub>50</sub>	5502 - 60 min (4656 - 7691)	<u>9136</u>	N/A
B1.4	Rat	60 min LC <sub>50</sub>	4748 - 60 min (4174 - 5246)	<u>7884</u>	N/A
B1.5	Mouse	60 min LC <sub>50</sub>	1648 - 60 min (1219-2138)	<u>2796</u>	N/A

3 \* all data: pooled data from restrained and unrestrained animals

4  
 5 The data of the selected datasets are presented graphically in Figure 4.



6 **Figure 4** Final data selected for derivation of the animal probit function of hydrogen  
 7 chloride.

8  
 9  
 10

## 6. Derivation of the human probit function

To derive the human probit function, the results from studies by Dow Corning on a series of chlorosilanes, not including dichlorosilane, are used; this study also included HCl (Jean 2006). In this test series chlorosilanes with 1-4 chloride atoms per chlorosilane molecule were tested; the other positions in the molecule were substituted with hydrogen, methyl, ethyl and vinyl groups. The 1-hour LC<sub>50</sub> values of the chlorosilanes appeared to be a little above the 1-hour LC<sub>50</sub> values expected based on the chloride content.

Because of lack of appropriate data for the derivation of probit functions for the chlorosilanes a general approach is proposed to derive an LC<sub>50</sub> value based on HCl equivalents, and use the derived n-value and the assessment factors applied for HCl. This is a slightly conservative approach, since the toxicity of the chlorosilanes appears to be a little less than would be expected based on chloride content.

For the dichlorosilanes (although dichlorosilane itself was not tested) only one study on each of the compound's toxicity in the rat is available, so a slightly conservative approach is reasonable. Thus, although there are no actual rat data for dichlorosilane in the Jean study, the 1-hour LC<sub>50</sub> in the rat of other dichlorosilanes in the table below from Jean *et al* (2006) suggests that the 1-hour LC<sub>50</sub> of dichlorosilane can be accurately predicted from the chloride content in the molecules.

Chlorosilane	1-hour LC <sub>50</sub> <i>in ppm</i> (95% cfd-i)	Predicted 1-hour LC <sub>50</sub> in ppm	LC <sub>50</sub> ratio vs HCl	
			observed	expected
Tetrachlorosilane	1312 (1006 - 1529)	907	2.8	4
<i>n</i> -Propyltrichlorosilane	1352 (1254 - 1455)	1209	2.7	3
Ethyltrichlorosilane	1257 (1175 - 1320)	1209	2.3	3
Methyltrichlorosilane	1365 (1174 - 2104)	1209	2.7	3
Vinyltrichlorosilane	1611 (1505 - 1724)	1209	2.9	3
Methylvinyl-dichlorosilane	2021 (18-6 - 2257)	1814	1.8	2
Dimethyl-dichlorosilane	2092 (1492 - 2240)	1814	1.7	2
Methylhydrogen-dichlorosilane	1785 (1671 - 1963)	1814	2.0	2
Trimethylchlorosilane	4257 (4039 - 4488)	3627	0.9	1
Dimethylhydrogenchlorosilane	4478 (4281 - 63276)	3627	0.8	1
Hydrogen chloride	3627 (3069 - 5070)	3627	1	1

Table copied from Jean *et al* (2006).

To derive the human probit function *for hydrogen chloride* the results from the studies by Arts (2000), Hartzell (1987), Lapin (1981), Darmer (1974), Jean (2006), Wohlsigel (1976) and Higgins (1972) have been used to derive a point of departure. These studies qualified for the derivation of a probit function based on the criteria outlined in the methodology (Ruijten *et al* 2015). The results of study B1.3 (Jean) were used with a weight of 0.5 because only nominal concentrations were reported. The 5-minute rat data from study B1.6 (Higgins) serve as supportive evidence.

First, the arithmetic mean species-specific (rat) n-value was calculated to be 1.367.

Second, the LC<sub>50</sub>-values of all A- and B1-studies were calculated for a common exposure duration of 30 minutes. To enable this intra-species pooling, LC<sub>50</sub>-values of



1 B1-studies were scaled using the rat n-value of 1.367 for HCl with the following  
2 formula:

$$LC_{50,c} = LC_{50,test} \left( \frac{t_{test}}{t_c} \right)^{(1/n)}$$

3

4 With  $LC_{50,c}$  = scaled  $LC_{50}$  value for common exposure duration  $t_c$

5  $LC_{50,test}$  = observed  $LC_{50}$  value for tested exposure duration

6  $t_c$  = common exposure duration for intra-species pooling

7  $t_{test}$  = tested exposure duration

8

9 Next, the weighted species-specific geometric mean  $LC_{50}$ -values were calculated from  
10 all available (scaled)  $LC_{50}$  values. The weighted species-specific geometric mean  $LC_{50}$   
11 value is 8498 mg/m<sup>3</sup> for rats and 3180 mg/m<sup>3</sup> for mice. Finally, an unweighted  
12 geometric mean overall  $LC_{50}$ -value was calculated.

13

14 The formula for the pooling of the selected weighted and scaled  $LC_{50}$ -values is as  
15 follows:

$$\overline{LC_{50}} = \left[ \prod_{j=1}^s \exp \left( \frac{\sum_{i=1}^m w_i \times \ln(LC_{50,i})}{\sum_{i=1}^m w_i} \right) \right]^{(1/s)}$$

16

17 With  $\overline{LC_{50}}$  = geometric mean  $LC_{50}$ -value across species

18  $LC_{50,i}$  =  $LC_{50}$ -value of study i

19  $w$  = weight factor for study usefulness, default = 1

20  $m$  = number of observations on  $LC_{50}$ -values within a species ( $i=1\dots m$ ).

21  $s$  = number of species for which  $LC_{50}$ -values are pooled ( $j=1\dots s$ ).

22

23 The 30-minute weighted geometric mean  $LC_{50}$  value was 5198 mg/m<sup>3</sup>, the arithmetic  
24 mean n-value was 1.367.

25

26 This 30-min HCl  $LC_{50}$  value of 5198 mg/m<sup>3</sup>, which equals 3426 ppm, was used as  
27 point of departure for the dichlorosilane probit function. Complete hydrolysis of 1  
28 mole dichlorosilane produces 2 moles of HCl. Therefore, the  $LC_{50}$  value of  
29 dichlorosilane was estimated with a molar adjustment factor of 2 as 3426/ 2 = 1713  
30 ppm, which equals an **animal 30-min  $LC_{50}$  = 7196 mg/m<sup>3</sup> dichlorosilane.**

31

32 In addition to the rat and mouse data, the expert panel made the following  
33 observations:

- 34 • 3/3 baboons survived a 15-minute exposure to approximately 15000 mg/m<sup>3</sup> HCl  
35 (Kaplan et al 1988), while HCl exposure to 15000 mg/m<sup>3</sup> (Hartzell et al) and  
36 12000 mg/m<sup>3</sup> (Lapin) for 15 minutes is fatal to 6/6 rats.
- 37 • The respiratory response of baboons (and therefore maybe in man) is clearly  
38 different from that in rats (Kaplan et al 1988, 1993).

39 Based on the primate data from Kaplan et al (1988, 1993) it was argued that the  
40 derivation of a probit function from rat and mouse data may overestimate the acute  
41 lethality of HCl in non-human primates and therefore most likely also in humans,  
42 assuming that baboons are a better model for lethality in humans than rats.

43

44 The human equivalent  $LC_{50}$  was calculated by applying the following assessment  
45 factors of HCl:

46

47

48

49

Assessment factor for:	Factor	Rationale
Animal to human extrapolation:	1	Based on the available data on survival in baboons, an assessment factor of 1 was judged to be appropriate for HCl.
Nominal concentration	1	All reported concentrations are analytical.
Adequacy of database:	1	HCl has a strong database with 3 A studies and 6 B1 studies.

1  
2 An assessment factor of 2 to determine a 'human' LC<sub>50</sub> value could have been applied  
3 because of a limited database for dichlorosilane with much uncertainty. The panel  
4 believes that this is not necessary since the results from the study by Jean (2006)  
5 demonstrate that chlorosilane LC<sub>50</sub> values can be accurately predicted by HCl molar  
6 equivalence (with a small margin of safety and erring towards a conservative probit).  
7 This observation implies an inherent safety of the probit, so no additional assessment  
8 factor is required despite the limited chemical specific database.

9  
10 The estimated human equivalent 30-minute LC<sub>50</sub> value is  $7196 / 1 = \mathbf{7196 \text{ mg/m}^3}$ .

11  
12 The experimentally determined weighted average n-value for HCl was **1.367** (studies  
13 A1, A2 and A3). Assuming a regression coefficient (b×n) of 2 for the slope of the  
14 curve, the b-value can be calculated as  $2 / n = \mathbf{1.463}$ .

15  
16 The human probit function is then calculated on the human equivalent 30 min LC<sub>50</sub>  
17 using the above parameters to solve the following equation to obtain the a-value (the  
18 intercept):  $5 = a + 1.463 \times \ln(7196^{1.367} \times 30)$  resulting in the a-value of **-17.74**.

19  
20 **Pr = -17.7 + 1.46 × ln(C<sup>1.37</sup> × t) with C in mg/m<sup>3</sup> and t in min.**

21  
22 The derived human probit function has a scientifically acceptable basis. The probit  
23 function is based on 6 studies on HCl (6 rat and 2 mouse datasets) and 1 mouse  
24 study on dichlorosilane with A and B1 quality, with exposure durations ranging from 5  
25 to 180 minutes and exposure concentrations ranging from 40 to 78.000 mg/m<sup>3</sup>.

26  
27 The human 60 min LC<sub>1</sub> (Pr = 2.67) calculated with this probit equation is 1333  
28 mg/m<sup>3</sup> and the calculated human 60 min LC<sub>0.1</sub> (Pr = 1.91) is 912 mg/m<sup>3</sup>.

Estimated level	30 min (mg/m <sup>3</sup> )	60 min (mg/m <sup>3</sup> )
0.1% lethality, this probit	1512	912
1% lethality, this probit	2211	1333
AEGL-3 (2012, final)	463	210
ERPG-3		N/A
LBW (2016)	N/A	N/A

29  
30  
31  
32 Compared with equivalent (inter)national guideline levels as presented in the table  
33 above, the lethal levels derived with this probit function are higher. AEGL and ERPG  
34 values are set with higher assessment factors to allow a wider margin of safety for  
35 susceptible individuals.

36  
37 When the actual mouse 240-min LC<sub>50</sub> value for dichlorosilane reported by Nakashima  
38 (study B1.7) of 596 mg/m<sup>3</sup> was time-scaled to 30 minutes, a 30-min LC<sub>50</sub> value of  
39 2728 mg/m<sup>3</sup> was estimated with the n-value from the current probit function

1 (650 ppm, equals 1300 ppm = 1971 mg/m<sup>3</sup> HCl). This is somewhat below the actually  
2 observed (3616 mg/m<sup>3</sup>) or scaled (2796 mg/m<sup>3</sup>) mouse LC<sub>50</sub> values for HCl. Although  
3 the time extrapolation of the HCl data was highly uncertain due to the 240-min  
4 exposure duration in the Nakashima study, the difference in calculated LC<sub>50</sub> values  
5 was limited and because of the limited difference, the probit based on the chlorosilane  
6 prediction model was not adjusted for this finding.

7

8

## Appendix 1 Animal experimental research

### Study ID: A.1

**Author, year: Arts et al 2000**

Substance: **Hydrogen Chloride**

Species, strain, sex: Male and female rats, unspecified strain

Number/sex/conc. group: 1 / C×T combination / sex, total number of animals 58

Age and weight: unspecified

Observation period: 14 days

#### Evaluation of study quality

Criteria	Comment
Study carried out according to GLP	No GLP statement provided
Study carried out according to guideline(s)	Equivalent to OECD 403 (10 animals per concentration); In this study 1 animal/sex/C×T combination was used
Stability of test compound in test atmosphere	Some evidence of aerosol formation at 12,300 and 23,400 mg/m <sup>3</sup> concentrations.
Use of vehicle (other than air)	Dry air (relative humidity 1%)
Whole body / nose-only (incl. head/nose-only) exposure	Head/nose only
Type of restrainer	Batelle tube, adequate restrainer
Pressure distribution.	Positive pressure at the nose of the animals (central cylinder), negative pressure in surrounding hood
Homogeneity of test atmosphere at breathing zone of animals	Empty animal location used as sampling point; based on air flow (see below,) homogeneity expected to be present
Number of air changes per hour	100 l/min (cylinder volume 50 l) for 10 rats, i.e. air flow is sufficient
Equilibration time (t95)	1.5 minutes
Start of exposure relative to equilibration	After complete equilibration
Actual concentration measurement	Acid/base titration based on colour change of titration fluid and amount of air passed through. This method may have produced biased concentration estimates due to interference of CO <sub>2</sub> exhaled by the animals.
Particle size distribution measurement in breathing zone of the animals in case of aerosol exposure;	N/A
Assessment of Reliability	A Well performed study

1 **Results**  
2

Species	Concentration (mg/m <sup>3</sup> )	Exposure duration (min)	Lethality	
			Male	Female
Rat	4890	45/60/90/120/180	0/0/0/0/1	0/0/0/0/0
Rat	6620	30/45/60/90/120	0/0/0/0/1	0/0/0/0/0
Rat	9020	15/20/30/40/60	0/0/0/0/0	0/0/0/0/0
Rat	9250	60/90/120/150	1/1/1/1	1/1/1/1
Rat	12300	20/30/45/60/90	0/0/1/0/1	0/0/0/1/1
Rat	23400	10/20/30/45/60	0/1/1/1/1	0/1/1/1/1

3  
4  
5 **Probit function**

6 The probit function and associated LC-values have been calculated using the  
7 DoseResp program (Wil ten Berge, 2015) as

$$8 \text{ Pr} = a + b \times \ln C + c \times \ln t + d \times S$$

9 with C for concentration in mg/m<sup>3</sup>, t for time in minutes and S for sex (0 = female, 1  
10 = male).

11

Probit function	Species	a	b	C	d	n-value
Sex as covariate	Rat	-73.9	6.67	4.19	0.53	1.59 (1.26 - 1.92)
Sexes combined	Rat	-73.3	6.64	4.17		1.59 (1.26 - 1.93)

12  
13 The LC<sub>50</sub> values for both sexes did not differ by more than a factor of 2, nor did  
14 analysis with sex as covariate give any indication that sex differences exist. This does  
15 not support the proposition that sex differences exist in the lethal response. For this  
16 reason the data from both sexes were pooled and analysed to derive the animal  
17 probit function.

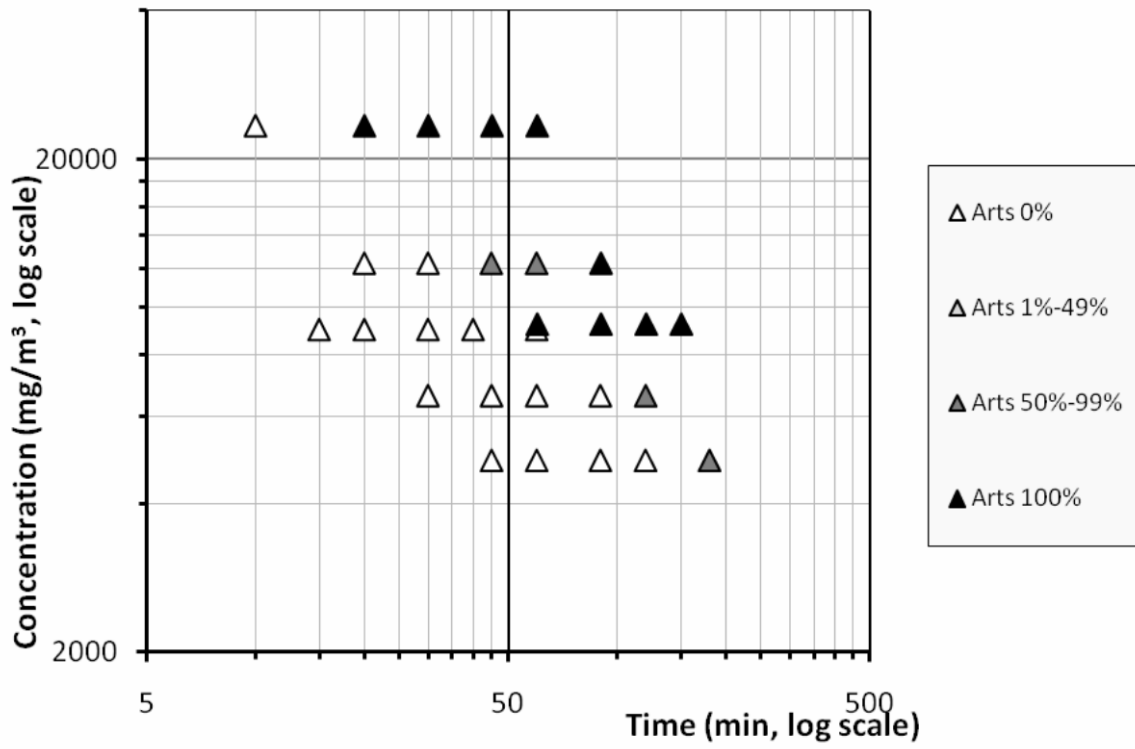
18

Duration (min.)	LC <sub>50</sub> (mg/m <sup>3</sup> ) 95%-CI Male	LC <sub>50</sub> (mg/m <sup>3</sup> ) 95%-CI Female	LC <sub>50</sub> (mg/m <sup>3</sup> ) 95%-CI Sexes combined
10	29930 (21780 - 42990)	32420 (23560 - 47120)	31070 (22970 - 44100)
30	15000 (12460 - 18570)	16250 (13480 - 20360)	15580 (13350 - 18770)
60	9702 (8376 - 11440)	10510 (9066 - 12540)	10070 (9096 - 11420)

19  
20  
21 The results for males and females were derived from the analysis with sex as  
22 covariate. If the male and female datasets were analyzed separately, the outcome  
23 was slightly different. The 30-min LC<sub>50</sub> value (mg/m<sup>3</sup>) for males was 15,930 (11,750 -  
24 24,810) and for females 15,130 (12,030 - 24,860).

25  
26  
27 A graphical overview of the data is presented below. Each concentration-time  
28 combination (with 1 male and 1 female animal) represents one point in the plot.

1



2  
3  
4

1 **Study ID: A.2**

2  
3 **Author, year: Hartzell et al 1985**

4 Substance: **Hydrogen Chloride**

5 Species, strain, sex: Rat, male Sprague-Dawley

6 Number/sex/conc. group: 6-8 / group (all male)

7 Age and weight: adult, weight unspecified

8 Observation period: 14 days

9  
10 **Evaluation of study quality**

Criteria	Comment
Study carried out according to GLP	No GLP statement provided
Study carried out according to guideline(s)	No mention of guideline OECD 403
Stability of test compound in test atmosphere	Aerosol formation
Use of vehicle (other than air)	Air
Whole body / nose-only (incl. head/nose-only) exposure	Head-only (in restrainer tubes), placed in small clean air space during chamber equilibration
Type of restrainer	'tubular restrainers', not otherwise specified
Pressure distribution.	Not specified
Homogeneity of test atmosphere at breathing zone of animals	Not specified
Number of air changes per hour	Not specified
Equilibration time (t95)	Unable to calculate because the airflow was not specified.
Start of exposure relative to equilibration	As stated by the authors: <u>after complete equilibration</u> a hinged box was opened and the animals exposed to the verified concentration.
Actual concentration measurement	Batch sampling with soda lime near breathing zone to determine analytical concentration. Intermittent sampling of small aliquots analysed with Ion Specific Electrode Continuous sampling (conductivity detector) to maintain stable HCl level during the test.
Particle size distribution measurement in breathing zone of the animals in case of aerosol exposure;	Not available
Assessment of Reliability	A

11  
12 For the probit calculations it is assumed that the exposure of the animals is almost  
13 instantaneously to the measured concentration, even though some dilution may have  
14 been present.

15  
16 The figure below shows how the restrained animals were exposed. The hinged box  
17 used by Hartzell et al resembles that used by Lapin (study A3). The authors claim  
18 that animals receive a true 'square wave' exposure pattern without a (significant)  
19 equilibration period.

1 For the probit calculations it is assumed that the  
 2 exposure of the animals is almost  
 3 instantaneously to the measured concentration,  
 4 even though some dilution may have been  
 5 present.

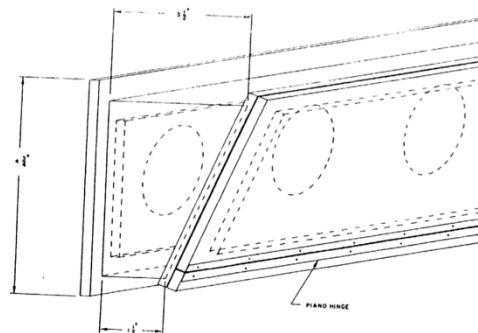


Figure 2. Diagram of animal isolation system.

## 11 Results

Species	Concentration (mg/m <sup>3</sup> )	Exposure duration (min)	Lethality	
			Exposed	Responded
rat	13984	5	6	0
rat	16530	5	6	3
rat	19128	5	6	2
rat	21747	5	6	0
rat	23498	5	6	3
rat	30856	5	6	6
rat	8275	10	6	0
rat	11596	10	6	1
rat	12333	10	8	5
rat	12806	10	8	1
rat	13938	10	6	6
rat	6627	15	6	0
rat	9380	15	6	3
rat	12130	15	6	4
rat	13619	15	6	4
rat	15185	15	6	6
rat	7393	22.5	6	2
rat	9749	22.5	6	4
rat	11380	22.5	6	6
rat	12317	22.5	6	2
rat	13142	22.5	8	4
rat	15408	22.5	6	6
rat	3967	30	6	2
rat	5644	30	6	4
rat	6217	30	6	1
rat	8780	30	8	8
rat	9834	30	6	4
rat	12586	30	6	6



Species	Concentration (mg/m <sup>3</sup> )	Exposure duration (min)	Lethality	
			Exposed	Responded
rat	2725	60	6	0
rat	3467	60	6	3
rat	3952	60	6	1
rat	6501	60	8	7
rat	6779	60	6	6
rat	7378	60	6	6

1

2 **Probit function**

3 The probit function and associated LC-values have been calculated using the  
4 DoseResp program (Wil ten Berge, 2015) as

$$5 \text{ Pr} = a + b \times \ln C + c \times \ln t$$

6 with C for concentration in mg/m<sup>3</sup> and t for time in minutes.

7

8 To test the sensitivity of the model outcome for in- or exclusion of the 5-minute data  
9 the models were developed both including and excluding the 5-minute data.

10

Probit function	Species	a	b	c	n-value
Including 5 min exposure	Rat	-21.58	2.39	1.64	1.46 (1.12 - 1.79)
Excluding 5 min exposure	Rat	-20.68	2.31	1.56	1.48 (0.97 - 1.99)

11

12 The analysis with and without the 5-min exposure essentially gave the same result,  
13 and are both presented below. All further analyses will be based on the model  
14 including the 5-minute data.

15

Duration (minutes)	LC <sub>50</sub> (mg/m <sup>3</sup> ) 95%-C.I. With 5 min data	LC <sub>50</sub> (mg/m <sup>3</sup> ) 95%-C.I. Without 5 min data
10	14190 (12170 - 16730)	13990 (10870 - 18320)
30	6671 (5527 - 7730)	6654 (5390 - 7770)
60	4144 (3081 - 5176)	4163 (2891 - 5415)

16

17

18 A graphical overview of the data is presented below. Each concentration-time  
19 combination (with 6-8 animals) represents one point in the plot.

20



1 **Study ID: A.3**2  
3 **Author, year: Lapin 1981**4 Substance: **Hydrogen Chloride**

5 Species, strain, sex: Rat, male Crl:CD

6 Number/sex/conc. group: 6 (restrained),10 (unrestrained) group

7 Age and weight: adult, weight 250 ± 25 grams

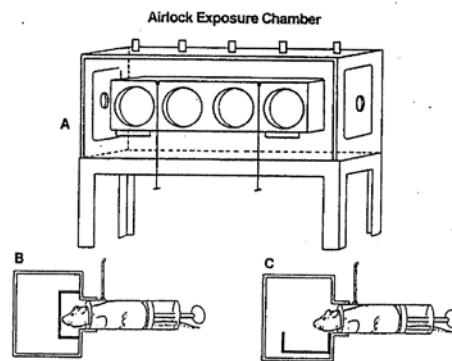
8 Observation period: 14 days

9  
10 **Evaluation of study quality**

Criteria	Comment
Study carried out according to GLP	No GLP statement provided
Study carried out according to guideline(s)	No mention of guideline OECD 403. Light/dark cycle, temperature, humidity and food/water provision consistent with OECD guideline 403 criteria.
Stability of test compound in test atmosphere	Aerosol formation not reported.
Use of vehicle (other than air)	Air.
Whole body / nose-only (incl. head/nose-only) exposure	Restrained: Head only. Rats were restrained in whole body holders inside the chamber (175 l) used (in some cases simultaneously) for unrestrained animals. By using a switch a hinged box was swung down to start an exposure (see figure below). Unrestrained: whole body, 10 animals in 175 l chamber.
Type of restrainer	'whole body holders', not otherwise specified
Pressure distribution.	Not specified.
Homogeneity of test atmosphere at breathing zone of animals	'The test gas chamber atmospheres were generated with continuous flow-through generation. Gas concentrations were generated by dilution of commercial bottled gas.'
Number of air changes per hour	Not specified.
Equilibration time (t95)	unable to calculate; no air changes per hour provided.
Start of exposure relative to equilibration	'...once a satisfactory steady state chamber concentration of the test material was obtained.'
Actual concentration measurement	Intermittent sampling ('at frequent intervals') of 47 ml aliquots in a syringe with 3 ml sodium acetate. Analysis with a Cl <sup>-</sup> Specific Ion Electrode.
Particle size distribution measurement in breathing zone of the animals in case of aerosol exposure;	Not specified, formation of aerosol uncertain.
Assessment of Reliability	A Data were suitable to derive a probit function. Multiple concentration levels and durations were tested, resulting in a good concentration response relation with mortality of 0-100%.

1 The figure shows how the restrained animals  
 2 were exposed. Figures A and B show respectively  
 3 a closed and opened hinged box. The authors  
 4 claim that animals receive a true 'square wave'  
 5 exposure pattern without a (significant)  
 6 equilibration period.

7  
 8 For the probit calculations it is assumed that the  
 9 exposure of the animals is almost  
 10 instantaneously to the measured concentration,  
 11 even though some dilution may have been  
 12 present.



A) front view, B) end view, atmosphere pre-equilibrated while rats breathe fresh air, and C) airlock dropped for instantaneous exposure

13  
 14  
 15 **Results**

16

Species	Concentration (mg/m <sup>3</sup> )	Exposure duration(min)	Restrained	Exposed	Responded
Rat	39	5	Yes	6	0
Rat	76	5	Yes	6	0
Rat	106	5	Yes	6	0
Rat	234	5	Yes	6	0
Rat	244	5	Yes	6	0
Rat	432	5	Yes	6	0
Rat	581	5	Yes	6	0
Rat	595	5	Yes	6	0
Rat	792	5	Yes	6	0
Rat	916	5	Yes	6	0
Rat	916	5	Yes	6	0
Rat	1423	5	Yes	6	0
Rat	10765	5	Yes	6	1
Rat	13922	5	Yes	6	2
Rat	22645	5	Yes	6	2
Rat	23759	5	Yes	6	2
Rat	32668	5	Yes	6	6
Rat	36752	5	Yes	6	6
Rat	39908	5	Yes	6	3
Rat	3703	15	Yes	6	1
Rat	5754	15	Yes	5	1
Rat	6435	15	Yes	6	0
Rat	8585	15	Yes	6	3
Rat	12344	15	Yes	6	6
Rat	16798	15	Yes	6	6

Species	Concentration (mg/m <sup>3</sup> )	Exposure duration(min)	Restrained	Exposed	Responded
Rat	18376	15	Yes	6	5
Rat	20268	15	Yes	6	5
Rat	26729	15	Yes	5	5
Rat	29513	15	Yes	5	5
Rat	188	30	Yes	6	0
Rat	329	30	Yes	6	0
Rat	405	30	Yes	5	0
Rat	687	30	Yes	6	0
Rat	982	30	Yes	6	0
Rat	1305	30	Yes	6	0
Rat	2191	30	Yes	4	2
Rat	3007	30	Yes	6	0
Rat	4301	30	Yes	6	1
Rat	7371	30	Yes	6	4
Rat	7531	30	Yes	6	6
Rat	11349	30	Yes	6	4
Rat	1330	60	Yes	4	2
Rat	1505	60	Yes	6	3
Rat	1952	60	Yes	6	1
Rat	2735	60	Yes	6	4
Rat	3621	60	Yes	6	6
Rat	4968	60	Yes	6	6
Rat	6768	60	Yes	6	6
Rat	762	5	No	10	0
Rat	13364	5	No	10	0
Rat	20418	5	No	10	1
Rat	26172	5	No	10	0
Rat	26542	5	No	10	0
Rat	37122	5	No	10	3
Rat	59396	5	No	10	9
Rat	60881	5	No	10	7
Rat	77957	5	No	10	10
Rat	84145	5	No	10	9
Rat	6898	15	No	10	0
Rat	11137	15	No	10	1
Rat	14775	15	No	10	0

Species	Concentration (mg/m <sup>3</sup> )	Exposure duration(min)	Restrained	Exposed	Responded
Rat	15516	15	No	10	3
Rat	26635	15	No	10	8
Rat	34431	15	No	10	10
Rat	39443	15	No	10	10
Rat	39443	15	No	10	9
Rat	1834	30	No	10	0
Rat	3500	30	No	10	0
Rat	7371	30	No	10	3
Rat	7531	30	No	10	4
Rat	8750	30	No	10	1
Rat	13629	30	No	10	10
Rat	14001	30	No	10	7
Rat	22008	30	No	10	9
Rat	31183	30	No	10	10
Rat	1071	60	No	10	0
Rat	2893	60	No	10	0
Rat	3673	60	No	10	2
Rat	5439	60	No	10	8
Rat	6443	60	No	10	10

1  
2 **Probit function**

3 The probit function and associated LC-values have been calculated using the  
4 DoseResp program (Wil ten Berge, 2015) as

5  $Pr = a + b \times \ln C + c \times \ln t + d \times R$

6 Where C is concentration in mg/m<sup>3</sup>, t is exposure duration in minutes and R is a  
7 dummy variable for restraintment.

8  
9 First, the data were analysed for restrained and unrestrained animals separately.  
10 Subsequently the data were analysed with both restrained and unrestrained animals,  
11 with a dummy variable to account for restraintment.

12  
13 To assess the influence of including the 5-min data and the use of restraintment, the  
14 calculations were performed:

- 15
- 16 • with and without the 5-min data.
  - 17 • for restrained and unrestrained animals separately.
  - 18 • all animals in the model, with and without a dummy variable to account for  
19 restraintment.

Probit function	Species	a	b	c	d	n-value
Only restrained animals, INCL 5 min data	Rat	-13.30	1.55	1.50		1.03 (0.87 – 1.19)
Only restrained	Rat	-14.58	1.62	1.78		0.91 (0.69 – 1.13)

animals, EXCL 5 min data						
Only unrestrained animals, INCL 5 min data	Rat	-28.00	2.69	2.46		1.10 (0.97 – 1.22)
Only unrestrained animals, EXCL 5 min data	Rat	-31.83	2.85	3.13		0.91 (0.79 – 1.04)
All animals, INCL 5 min data, dummy	Rat	-20.49	2.07	1.93	1.55	1.07 (0.97 – 1.18)
All animals, EXCL 5 min data, dummy	Rat	-22.37	2.12	2.32	1.64	0.91 (0.75 – 1.08)
All animals, INCL 5 min data	Rat	-12.58	1.46	1.39		1.05 (0.88 – 1.21)

All LC<sub>50</sub> values calculated with the probit model are presented below. For comparison the LC<sub>50</sub> values as calculated by Lapin are also presented (calculated per exposure duration).

#### 1. Restrained animals only

Duration (minutes)	LC <sub>50</sub> (mg/m <sup>3</sup> ) 95%-C.I. With 5 min data	LC <sub>50</sub> (mg/m <sup>3</sup> ) 95%-C.I. Without 5 min data	LC <sub>50</sub> (mg/m <sup>3</sup> ) Lapin
10	12300 (10310 - 14510)	14450 (10220 - 20030)	**
30	4228 (3544 - 4962)	4322 (3613 - 5064)	5541
60	2155 (1677 - 2717)	2018 (1520 - 2621)	1837

#### 2. Unrestrained animals only

Duration (minutes)	LC <sub>50</sub> (mg/m <sup>3</sup> ) 95%-C.I. With 5 min data	LC <sub>50</sub> (mg/m <sup>3</sup> ) 95%-C.I. Without 5 min data	LC <sub>50</sub> (mg/m <sup>3</sup> ) Lapin
10	25860 (22990 - 29000)	32300 (26700 - 38880)	**
30	9493 (8466 - 10660)	9690 (8887 - 10550)	9750
60	5045 (4278 - 5872)	4533 (3929 - 5236)	4442

\*\* Lapin only calculated LC<sub>50</sub> values for the tested exposure durations.

#### 3. Restrained / unrestrained animals animals in one analysis incl. 5 min data

Duration minutes	LC <sub>50</sub> (mg/m <sup>3</sup> ) 95%-C.I. Restrained animals	LC <sub>50</sub> (mg/m <sup>3</sup> ) 95%-C.I. Unrestrained animals	LC <sub>50</sub> (mg/m <sup>3</sup> ) 95%-C.I. Combined animals
10	12300 (10510 - 14310)	26050 (23090 - 29380)	19430 (16470 – 22890)
30	4415 (3776 - 5133)	9352 (8268 - 10570)	6791 (5718 – 8006)
60	2313 (1915 - 2779)	4900 (4159 - 5769)	3499 (2726 – 4441)

Results for restrained/unrestrained animals in results table 3 taken from the combined analysis, by applying the parameter estimate of the dummy variable. Combined animals are numbers from an analysis without the dummy variable.

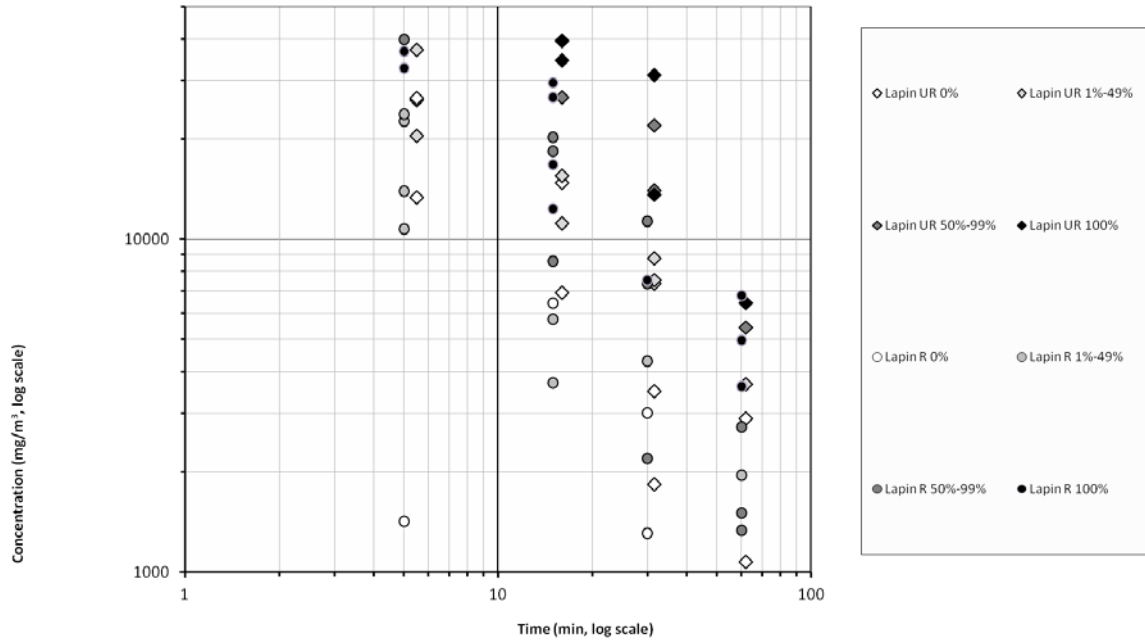
The calculated LC<sub>50</sub> values were systematically higher (lower toxicity) in unrestrained vs restrained animals by a factor 2.2-2.5. Stress or inability to avoid exposure in

1 restrained animals may have contributed, although there is no definitive explanation  
2 for the difference.

3

4 A graphical overview of the data is presented below. Each concentration-time  
5 combination (with 4-10 male rats) represents one point in the plot.

6



7

8

9

10



1 **Study ID: B1.1**2  
3 **Author, year: Darmer 1974**4 Substance: **Hydrogen Chloride**

5 Species, strain, sex: Rat, CFE (Sprague-Dawley derived), sex unspecified

6 Number/sex/conc. group: 10/concentration/time

7 Age and weight: 250-300 grams, unspecified age (adult as judged from  
8 weight)

9 Observation period: 7 days

10  
11 **Evaluation of study quality**

Criteria	Comment
Study carried out according to GLP	GLP did not exist at the time
Study carried out according to guideline(s)	OECD 403 did not exist at the time; many details (housing, lighting, food, water, etc) not specified
Stability of test compound in test atmosphere	Not specified. Exposure to gas in pre-dried air (for gas exposures), OR gas introduced in nearly saturated water droplet mist (for aerosol exposures).
Use of vehicle (other than air)	Air
Whole body / nose-only (incl. head/nose-only) exposure	Whole body, animals introduced in chamber with little air loss after chamber concentration equilibrated
Type of restrainer	No restrainer used – whole body
Pressure distribution.	No information on pressure distribution; reference to publication that mentions 0.05 cm negative water pressure in the chamber
Homogeneity of test atmosphere at breathing zone of animals	Not specified; air sampling appears to take place in animal breathing zone.
Number of air changes per hour	Air flow = 10cfm = 283 l/min = 17 m <sup>3</sup> /h, chamber volume is approx 2 m <sup>3</sup> , air exchange rate = 8.5/h
Equilibration time (t95)	$3 \times (2000 \text{ l} / 283 \text{ l/min}) = 21 \text{ min.}$
Start of exposure relative to equilibration	Animals were introduced into the chamber by means of sliding cage 'drawers' in the wall of the chamber
Actual concentration measurement	Continuous during exposure with specific chloride ion electrode (in breathing zone)
Particle size distribution measurement in breathing zone of the animals in case of aerosol exposure;	No gravimetric assessment of droplet size, but optical method (semi-quantitative). Estimated diameter < 2 µm (water droplet size = aerodynamic Diameter, no droplets >5 µm observed)
Assessment of Reliability	B1.1 This study received B status because only 2 exposure durations were studied and aerosol exposure was not well quantified. Sufficient other A-studies available.

12  
13

1 **Results**

2

Species	Concentration (mg/m <sup>3</sup> )	Exposure duration (min)	Gas or aerosol	Lethality	
				Exposed	Lethal
Rat	45600	5	Gas	10	0
Rat	49028	5	Gas	10	1
Rat	60572	5	Gas	10	6
Rat	68704	5	Gas	10	7
Rat	87081	5	Gas	10	9
Rat	3159	30	Gas	10	0
Rat	4071	30	Gas	10	1
Rat	4668	30	Gas	10	0
Rat	7874	30	Gas	10	5
Rat	9223	30	Gas	10	8
Rat	10155	30	Gas	10	10
Species	Concentration (mg/l)	Exposure duration (min)	Gas or aerosol	Lethality	
				Exposed	Lethal
Rat	9.7	5	Aerosol	10	0
Rat	28.4	5	Aerosol	10	1
Rat	37.3	5	Aerosol	10	3
Rat	43.6	5	Aerosol	10	6
Rat	57.0	5	Aerosol	10	6
Rat	60.1	5	Aerosol	10	7
Rat	91.3	5	Aerosol	10	10
Rat	4.3	30	Aerosol	10	1
Rat	6.6	30	Aerosol	10	0
Rat	9.0	30	Aerosol	10	6
Rat	9.8	30	Aerosol	10	8

3

4

5 **Probit function**

6 The probit function and associated LC-values have been calculated using the  
7 DoseResp program (Wil ten Berge, December 2006) as:

$$8 \text{ Pr} = a + b \ln C + c \ln t + d \text{ PS}$$

9 Where C is concentration in mg/m<sup>3</sup>, t is exposure duration in minutes and

10 PS = physical state (gas/aerosol).

11

12 The LC<sub>50</sub> did not differ by more than a factor 2 between gas and aerosol exposure,  
13 nor did analysis with physical state as covariate give any indication that differences  
14 exist between gas and aerosol exposure. The authors also concluded that gas and  
15 aerosol exposure produced the same lethality. For this reason the data from gas and  
16 aerosol exposures were pooled and analysed to derive the animal probit function (last

1 column of table below). The results for gas and aerosol were derived from the  
2 analysis with physical state as covariate and from pooled data.

3

4 Since only 2 exposure durations were tested in this study, the n-value is meaningless  
5 and this study will be treated as a 30-minute lethality study. The LC<sub>50</sub> values  
6 presented below were calculated with only the 30-minute data. The LC<sub>50</sub> value for the  
7 combined gas/aerosol data will be used as a PoD for the probit calculation.

8

9

Duration (minutes)	LC <sub>50</sub> (mg/m <sup>3</sup> ) 95%-C.I. Gas	LC <sub>50</sub> (mg/m <sup>3</sup> ) 95%-C.I. Aerosol	LC <sub>50</sub> (mg/m <sup>3</sup> ) 95%-C.I. Combined
30	7132 (6156 -8172)	8329 (7209 - 9676)	7684 (6906 - 8496)

10

11

12

1 **Study ID: B1.2**

2  
3 **Author, year: Darmer 1974**

4 Substance: **Hydrogen Chloride**

5 Species, strain, sex: Mouse, CF-1 ICR, sex unspecified

6 Number/sex/conc. group: 10-15 / concentration / time

7 Age and weight: 25-30 grams, unspecified age (adult as judged from  
8 weight)

9 Observation period: 7 days

10  
11 **Evaluation of study quality**

Criteria	Comment
Study carried out according to GLP	GLP did not exist at the time
Study carried out according to guideline(s)	OECD 403 did not exist at the time; many details (housing, lighting, food, water, etc) not specified
Stability of test compound in test atmosphere	Not specified. Exposure to gas in pre-dried air (for gas exposures), OR gas introduced in nearly saturated water droplet mist (for aerosol exposures).
Use of vehicle (other than air)	Air
Whole body / nose-only (incl. head/nose-only) exposure	Whole body, animals introduced in chamber with little air loss after chamber concentration equilibrated
Type of restrainer	No restrainer used – whole body
Pressure distribution.	No information on pressure distribution; reference to publication that mentions 0.05 cm negative water pressure in the chamber
Homogeneity of test atmosphere at breathing zone of animals	Not specified; air sampling appears to take place in animal breathing zone.
Number of air changes per hour	Air flow = 10cfm = 283 l/min = 17 m <sup>3</sup> /h, chamber volume is approx 2 m <sup>3</sup> , air exchange rate = 8.5/h
Equilibration time (t95)	3 × (2000 l / 283 l/min) = 21 min.
Start of exposure relative to equilibration	Animals were introduced into the chamber by means of sliding cage 'drawers' in the wall of the chamber
Actual concentration measurement	Continuous during exposure with specific chloride ion electrode (in breathing zone)
Particle size distribution measurement in breathing zone of the animals in case of aerosol exposure;	No gravimetric assessment of droplet size, but optical method (semi-quantitative). Estimated diameter < 2 µm (water droplet size = aerodynamic Diameter, no droplets >5 µm observed)
Assessment of Reliability	B1.2 This study received B status because only 2 exposure durations were studied and aerosol exposure was not well quantified. Sufficient other A-studies available.

1 **Results**

2

Species	Concentration (mg/m <sup>3</sup> )	Exposure duration (min)	Gas or aerosol	Lethality	
				Exposed	Lethal
Mouse	4864	5	Gas	10	1
Mouse	7691	5	Gas	10	1
Mouse	9340	5	Gas	10	2
Mouse	9743	5	Gas	10	0
Mouse	11438	5	Gas	10	6
Mouse	12259	5	Gas	10	2
Mouse	14100	5	Gas	10	5
Mouse	20756	5	Gas	10	6
Mouse	40257	5	Gas	15	13
Mouse	45600	5	Gas	15	13
Mouse	623	30	Gas	15	0
Mouse	1724	30	Gas	15	2
Mouse	4071	30	Gas	15	8
Mouse	4136	30	Gas	15	4
Mouse	4472	30	Gas	15	12
Mouse	4668	30	Gas	15	6
Mouse	6148	30	Gas	15	11
Mouse	6196	30	Gas	15	13
Mouse	8152	30	Gas	15	14
Species	Concentration (mg/ℓ)	Exposure duration (min)	Gas or aerosol	Lethality	
				Exposed	Lethal
Mouse	13.3	5	Aerosol	10	3
Mouse	14.8	5	Aerosol	10	3
Mouse	17.7	5	Aerosol	10	5
Mouse	22.0	5	Aerosol	10	9
Mouse	25.0	5	Aerosol	10	9
Mouse	27.6	5	Aerosol	10	10
Mouse	1.8	30	Aerosol	10	2
Mouse	3.1	30	Aerosol	10	5
Mouse	3.8	30	Aerosol	10	5
Mouse	4.0	30	Aerosol	10	5
Mouse	4.3	30	Aerosol	10	9
Mouse	4.5	30	Aerosol	10	7
Mouse	6.5	30	Aerosol	10	10

3

1 **Probit function**

2 The probit function and associated LC-values have been calculated using the  
3 DoseResp program (Wil ten Berge, December 2006) as  
4  $Pr = a + b \times Inc + c \times \ln T + d \times PS$ , with PS = physical state (gas/aerosol).

5  
6 The LC<sub>50</sub> did not differ by more than a factor 2 between gas and aerosol exposure,  
7 nor did analysis with physical state as covariate give any indication that differences  
8 exist between gas and aerosol exposure. The authors also concluded that gas and  
9 aerosol exposure produced the same lethality. For this reason the data from gas and  
10 aerosol exposures were pooled and analysed to derive the animal probit function (last  
11 column of table below). The results for gas and aerosol were derived from the  
12 analysis with physical state as covariate and from pooled data.

13  
14 Since only 2 exposure durations were tested in this study, the n-value is meaningless  
15 and this study will be treated as a 30-minute lethality study. The LC<sub>50</sub> values  
16 presented below were calculated with only the 30-minute data. The LC<sub>50</sub> value for the  
17 combined gas/aerosol data will be used as a PoD for the probit calculation.

18

Duration (minutes)	LC <sub>50</sub> (mg/m <sup>3</sup> ) 95%-C.I. Gas	LC <sub>50</sub> (mg/m <sup>3</sup> ) 95%-C.I. Aerosol	LC <sub>50</sub> (mg/m <sup>3</sup> ) 95%-C.I. Combined
30	4043 (3394 - 4648)	3122 (2500 - 3741)	3616 (3093 - 4081)

19

20

21

1 **Study ID: B1.3**

2

3 **Author, year: Jean et al. 2006**

4 Substance: **Hydrogen Chloride**

5 Species, strain, sex: Male and female Fischer 344 rats

6 Number/sex/conc. group: 5 animals / sex / concentration

7 Age and weight: 8-12 weeks, 100-210 gr. (males), 100-160 gr (females)

8 Observation period: 14 days

9

10 **Evaluation of study quality**

Criteria	Comment
Study carried out according to GLP	According to US EPA GLP
Study carried out according to guideline(s)	study meets OECD 403 guideline.
Stability of test compound in test atmosphere	Stable
Use of vehicle (other than air)	Air
Whole body / nose-only (incl. head/nose-only) exposure	Whole body
Type of restrainer	NA
Pressure distribution.	No information
Homogeneity of test atmosphere at breathing zone of animals	No information
Number of air changes per hour	approx. 44 air changes / hour
Equilibration time (t95)	T <sub>99</sub> is stated to be 6 minutes
Start of exposure relative to equilibration	Animals were in the chamber when the exposure started, and withdrawn from the chamber after allowing at least 1 T <sub>99</sub> period to pass
Actual concentration measurement	While inlet and chamber concentrations were monitored, nominal concentrations were used for the calculations
Particle size distribution measurement in breathing zone of the animals in case of aerosol exposure;	No information
Assessment of Reliability	B1.3 Only 1 exposure duration, only LC <sub>50</sub> value described without individual concentration-lethality data

11

12 This dataset is part of a study where the relative acute inhalation toxicities of a series

13 of chlorosilanes is compared to the acute inhalation toxicity of HCl, aimed at building

14 a prediction model for chlorosilane toxicity. The test conditions for the chlorosilanes

15 have been described in some detail, the testing conditions for HCl have not. Since the

16 study was well designed and described and since the comparability of tests across the

17 tested chemicals is the main feature of the study, it is assumed that the test

18 conditions for HCl are equal to those for the chlorosilanes.

19

20

1 **Results**

2 The study only reports the 1-hour LC50 value in rats, males and females combined.

3

4

5 **Probit function**6 No concentration-time-response probit function could be calculated from these data  
7 alone.

8

9

Duration (minutes)	LC <sub>50</sub> (mg/m <sup>3</sup> ) 95%-C.I. Male	LC <sub>50</sub> (mg/m <sup>3</sup> ) 95%-C.I. Female	LC <sub>50</sub> (mg/m <sup>3</sup> ) 95%-C.I. Combined
60			5502 (4656 - 7691)

10

11



1 **Study ID: B1.4**

2

3 **Author, year: Wohlsigel et al. 1976**

4 Substance: **Hydrogen Chloride**

5 Species, strain, sex: Male rats, Sprague-Dawley

6 Number/sex/conc. group: 10 males / concentration

7 Age and weight: adult males, 250-325 gr.

8 Observation period: 14 days

9

10 **Evaluation of study quality**

Criteria	Comment
Study carried out according to GLP	GLP did not exist at the time
Study carried out according to guideline(s)	OECD 403 did not exist at the time.
Stability of test compound in test atmosphere	No information
Use of vehicle (other than air)	No information
Whole body / nose-only (incl. head/nose-only) exposure	Whole body
Type of restrainer	NA
Pressure distribution	No information
Homogeneity of test atmosphere at breathing zone of animals	No information
Number of air changes per hour	airflow = 11 cubic feet/min in a 22.1 cubic feet chamber, which equals 30 air changes / hour
Equilibration time (t95)	6 minutes
Start of exposure relative to equilibration	Animals were inserted and withdrawn from the exposure chamber 'using a sliding cage drawer'. It is unclear how much clean air was introduced with each opening of the chamber.
Actual concentration measurement	Continuous analysis with ion specific (and reference) electrode
Particle size distribution measurement in breathing zone of the animals in case of aerosol exposure;	No information
Assessment of Reliability	B1.4 Only 1 exposure duration, details about exposure conditions missing

11 **Results**

12

13

Species	Concentration (mg/m <sup>3</sup> )	Exposure duration (min)	Lethality	
			exposed	responded
rat	2756	60	10	0
rat	3929	60	10	2
rat	4976	60	10	6
rat	5990	60	10	8
rat	6772	60	10	10

**1 Probit function**

2 No concentration-time-response probit function could be calculated from these data  
3 alone. Data were only available for a 1 hour time period. Therefore only the 1 hour  
4 LC<sub>50</sub> value was calculated and presented in the table below.

5  
6

Duration (minutes)	LC <sub>50</sub> (mg/m <sup>3</sup> ) 95%-C.I. Male	LC <sub>50</sub> (mg/m <sup>3</sup> ) 95%-C.I. Female	LC <sub>50</sub> (mg/m <sup>3</sup> ) 95%-C.I. Combined
60	4748 (4174 - 5246)		

7  
8

1 **Study ID: B1.5**

2

3 **Author, year: Wohlslagel 1976**

4 Substance: **Hydrogen Chloride**

5 Species, strain, sex: Male mice, CF-1 ICR

6 Number/sex/conc. group: 10 males / concentration

7 Age and weight: adult males, 25-32 gr.

8 Observation period: 14 days

9

10 **Evaluation of study quality**

Criteria	Comment
Study carried out according to GLP	GLP did not exist at the time
Study carried out according to guideline(s)	OECD 403 did not exist at the time.
Stability of test compound in test atmosphere	No information
Use of vehicle (other than air)	No information
Whole body / nose-only (incl. head/nose-only) exposure	Whole body
Type of restrainer	NA
Pressure distribution.	No information
Homogeneity of test atmosphere at breathing zone of animals	No information
Number of air changes per hour	airflow = 11 cubic feet/min in a 22.1 cubic feet chamber which equals 30 air changes / hour
Equilibration time (t95)	6 minutes
Start of exposure relative to equilibration	Animals were inserted and withdrawn from the exposure chamber 'using a sliding cage drawer'. It is unclear how much clean air was introduced with each opening of the chamber.
Actual concentration measurement	Continuous analysis with ion specific (and reference) electrode
Particle size distribution measurement in breathing zone of the animals in case of aerosol exposure;	No information
Assessment of Reliability	B1.5 Only 1 exposure duration, details about exposure conditions missing

11 **Results**

12

13

Species	Concentration (mg/m <sup>3</sup> )	Exposure duration (min)	Lethality	
			exposed	responded
mouse	847	60	10	2
mouse	1497	60	10	3
mouse	2108	60	10	6
mouse	2891	60	10	8
mouse	3764	60	10	10

14

**1 Probit function**

2 No concentration-time-response probit function could be calculated from these data  
3 alone. Data were only available for a 1 hour time period. Therefore only the 1 hour  
4 LC<sub>50</sub> value was calculated and presented in the table below.

5

Duration (minutes)	LC <sub>50</sub> (mg/m <sup>3</sup> ) 95%-C.I. Male	LC <sub>50</sub> (mg/m <sup>3</sup> ) 95%-C.I. Female	LC <sub>50</sub> (mg/m <sup>3</sup> ) 95%-C.I. Combined
60	1684 (1219 - 2138)		

6

7

1 **Study ID: B1.6**

2

3 **Author, year: Higgins 1972**

4 Substance: **Hydrogen Chloride**

5 Species, strain, sex: Rat, Wistar, sex unspecified

6 Number/sex/conc. group: 5 / concentration

7 Age and weight: 250 - 275 grams (adult as judged from body weight)

8 Observation period: 7 days

9

10 **Evaluation of study quality**

Criteria	Comment
Study carried out according to GLP	GLP did not exist at the time
Study carried out according to guideline(s)	OECD 403 did not exist at the time.
Stability of test compound in test atmosphere	No information
Use of vehicle (other than air)	Air
Whole body / nose-only (incl. head/nose-only) exposure	Whole body
Type of restrainer	NA
Pressure distribution.	No information
Homogeneity of test atmosphere at breathing zone of animals	No information - 1 sampling location
Number of air changes per hour	No information (other than mention of dynamic flow system)
Equilibration time (t95)	unspecified
Start of exposure relative to equilibration	after complete equilibration a cage containing all 10 animals was quickly introduced in the chamber, and quickly pulled out after 5 minutes exposure
Actual concentration measurement	Specific ion electrode after capture in aqueous solution
Particle size distribution measurement in breathing zone of the animals in case of aerosol exposure;	No information
Assessment of Reliability	B1.6 Only 1 exposure duration, relatively short observation period.

11

12

13 **Results**

14

Species	Concentration (mg/m <sup>3</sup> )	Exposure duration (min)	Lethality	
			Exposed	Dead
Rat	45600	5	10	0
	48640	5	10	1
	60572	5	10	6
	68704	5	10	7
	87081	5	10	9

**1 Probit function**

2 No concentration-time-response probit function could be calculated from these data  
3 alone. Data were only available for a 5-min time period. Therefore only the 5-min  
4 LC<sub>50</sub> value was calculated and presented in the table below.

5  
6

Duration (minutes)	LC <sub>50</sub> (mg/m <sup>3</sup> ) 95%-C.I. Male	LC <sub>50</sub> (mg/m <sup>3</sup> ) 95%-C.I. Female	LC <sub>50</sub> (mg/m <sup>3</sup> ) 95%-C.I. Sex unknown
5			62,220 (56770 - 69150)

7

8 In this study the 5-min LC<sub>50</sub> for mice was also determined, and was calculated to be  
9 20,900 mg/m<sup>3</sup> (15,700 - 27800 mg/m<sup>3</sup>).

10  
11  
12  
13

1 **Study ID: B1.7**

2  
3 **Author, year: Nakashima 1996**

4 Substance: Dichlorosilane

5 Species, strain, sex: Male ICR mice

6 Number/sex/conc. group: 10 males / concentration for 4 hours

7 Age and weight: 5-week old male ICR mice, about 30 grams

8 Observation period: 14 days

9  
10 **Evaluation of study quality**

Criteria	Comment
Study carried out according to GLP	No GLP statement provided
Study carried out according to OECD 403 guideline(s)	Similar to OECD 403
Stability of test compound in test atmosphere	Hydrolyzed very rapidly to form HCl, SiO <sub>2</sub> and intermediates.
Use of vehicle (other than air)	Dried filtered room air
Whole body / nose-only (incl. head/nose-only) exposure	Whole-body exposed in groups of 10 in stainless steel wire cages
Type of restrainer	NA
Pressure distribution	No information
Homogeneity of test atmosphere in breathing zone of animals	No information
Number of air changes per hour	No information
Equilibration time (t95)	T99 equilibration time of 6 minutes
Start of exposure relative to equilibration	unspecified
Actual concentration measurement	Nominal concentrations were reported, test atmosphere generated by diluting a supplied 1110 ppm test gas (carrier unknown) with dried filtered room air. Qualitative analysis of aerosol sampled (unknown location) on a polycarbonate filter and analyzed with EDS indicated aerosol containing silicon and chloride
Particle size distribution measurement in breathing zone of the animals in case of aerosol exposure;	Particles formed after initiation of exposure had a diameter <1 µm (microscopically determined from filter).
Assessment of Reliability	B1.4 This study received B1 status because only 1 exposure duration was tested, and nominal concentrations were reported

11  
12 It proved to be impossible to obtain an LC<sub>50</sub> value for intact dichlorosilane because of  
13 its rapid and extensive reaction with the moisture in air. Exposure was to a mixture of  
14 substances which probably consisted of dichlorosilane, HCl, silica and other silicon-  
15 and chloride-containing reaction products. The irritating and corrosive properties of  
16 the test atmosphere were consistent with HCl exposure. Nominal concentrations as  
17 reported can be found in the table below.

1 **Results**

2

Species	Nominal concentration		Exposure duration	Lethality	
	mg/m <sup>3</sup>	ppm		min	Male
Mouse	Vehicle control		240	10	0
Mouse	206	49	240	10	0
Mouse	420	100	240	10	1
Mouse	550	131	240	10	6
Mouse	592	141	240	10	4
Mouse	836	199	240	10	10
Mouse	907	216	240	10	10
Mouse	916	218	240	10	9
Mouse	1088	259	240	10	10

3

4 **Probit function**

5 The probit function and associated LC-values have been calculated using the  
6 DoseResp program (Wil ten Berge, December 2015) as

7  $Pr = a + b \times \ln C$

8 with C for concentration in mg/m<sup>3</sup>. Calculations were made with nominal  
9 concentrations.

10

Probit function	Species	a	b
All data	Rat	-53.4	6.39

11

12 Because of the reactivity of the test substance nominal concentrations are used to  
13 assess the LC<sub>50</sub> level.

14

Duration (minutes)	LC50 (mg/m <sup>3</sup> ) 95%-C.I. Males	LC50 (mg/m <sup>3</sup> ) 95%-C.I. Females	LC50 (mg/m <sup>3</sup> ) 95%-C.I. Combined
240	596 (478 - 631)		

15

16 The authors calculated an LC<sub>50</sub> value of 144 ppm, which equals 606 mg/m<sup>3</sup>.

17

18



1 **Study ID: C.1**

2

3 Author, year: Kaplan 1988

4 Substance: **Hydrogen Chloride**

5 Species, strain, sex: male baboons

6 Number/sex/conc. group: 3 / concentration

7 Age and weight: adult, 7.1-13.1 kg

8 Observation period: 3 months

9

10 **Evaluation of study quality**

Criteria	Comment
Study carried out according to GLP	No GLP statement provided
Study carried out according to guideline(s)	No mention of guideline OECD 403. Study was not aimed at determining acute lethality. Light/dark cycle, temperature, humidity and food/water provision consistent with OECD guideline 403 criteria.
Stability of test compound in test atmosphere	No information. Deposition of HCl on the walls of the exposure chamber was mentioned.
Use of vehicle (other than air)	Air with 50% rel. hum.
Whole body / nose-only (incl. head/nose-only) exposure	Head only
Pressure distribution.	Test chamber was kept at -0.6 mm water pressure
Homogeneity of test atmosphere at breathing zone of animals	1 sampling location.
Number of air changes per hour	Airflow of 40 l/min through 200 l chamber, i.e. 12 air changes/hour
Actual concentration measurement	Continuous monitoring: continuous titration (AFNOR French standard FD X70101, 1982) or microconductivity detector to maintain a constant exposure level. Analytical determination of actual exposure level by titration of HCl adsorbed on dry soda lime sampling tubes (5 fixed time intervals of 3 min).
Particle size distribution measurement in breathing zone of the animals in case of aerosol exposure;	No information
Assessment of Reliability	C Data do not allow to calculate an LC <sub>50</sub> , but study provides essential supporting information

11

12

13

1 **Results**

Species	Concentration (mg/m <sup>3</sup> )	Exposure duration (min)	Lethality Male
Baboon	0	15	0
Baboon	787-885	15	0
Baboon	5259-7001	15	0
Baboon	12920-17580	15	0

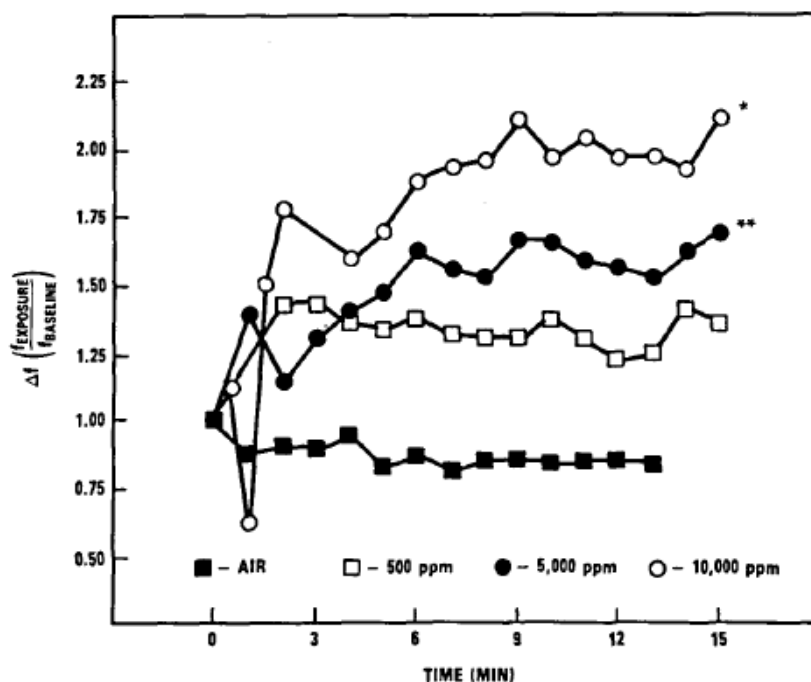
2

3 Respiratory rate ( $f$ ), tidal volume ( $V_T$ ), and Minute Volume (MV) were measured and  
 4 recorded before (5 min), during (15 min) and after (15 min) exposure of the  
 5 anesthetized baboons (13 mg/kg ketamine). Arterial blood samples were obtained  
 6 from a catheter in the femoral artery once before exposure, every minute during  
 7 exposure and every 5 minutes after exposure until the animal's appearance was  
 8 normal. Pulmonary function tests were performed in the week before, 3 days and 3  
 9 months after exposure.

10

11 After initiation of exposure, baboons held their breath for 10-20 seconds and then  
 12 increased their respiratory rate (figure 2 taken from Kaplan et al), while tidal volume  
 13 remained unaffected.

14



15 **FIGURE 2.** Change in respiratory rate ( $f$ ) of the baboon during a 15-min exposure to air or HCl  
 16 atmospheres;  $\Delta f$  is the ratio of  $f$  during exposure to the baseline  $f$  during the 5 min prior to  
 17 exposure. Data points are average values of three animals. Asterisk, significantly different  
 18 ( $p \leq 0.05$ ) from control (air) and 500 ppm HCl. Double asterisk, significantly different ( $p \leq 0.05$ )  
 19 from control (air).

15

16

17 Minute volume also increased with exposure level (figure 3 from Kaplan et al). The  
 18 tested HCl exposures did not cause any significant alterations in any of the pulmonary  
 19 function parameters in any of the HCl exposed groups at 3 days or 3 months following  
 20 exposure.

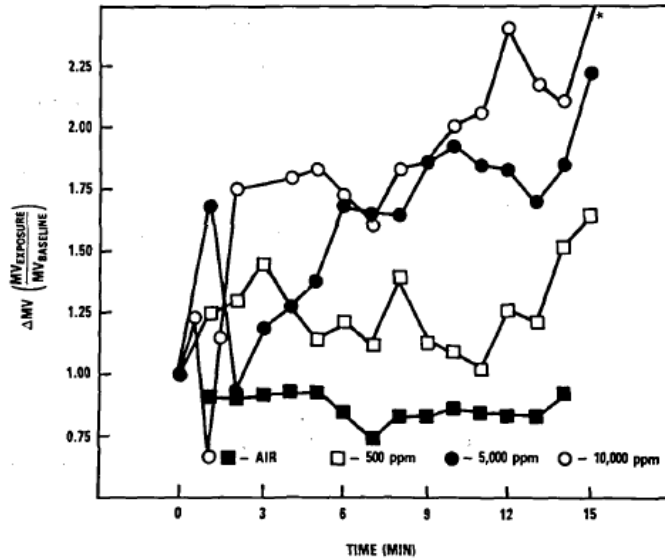


FIGURE 4. Change in minute volume (MV) of the baboon during a 15-min exposure to air or HCl atmospheres;  $\Delta MV$  is the ratio of MV during exposure to the baseline MV during the 5 min prior to exposure. Data points are average values of three animals. Asterisk, significantly different ( $p \leq 0.05$ ) from control (air).

1  
2  
3  
4  
5  
6

Despite the increased respiratory frequency and minute volume in response to HCL inhalation, arterial  $PaO_2$  values decreased rapidly in animals exposed to  $\pm 6000 \text{ mg/m}^3$  and to  $\pm 15000 \text{ mg/m}^3$ .

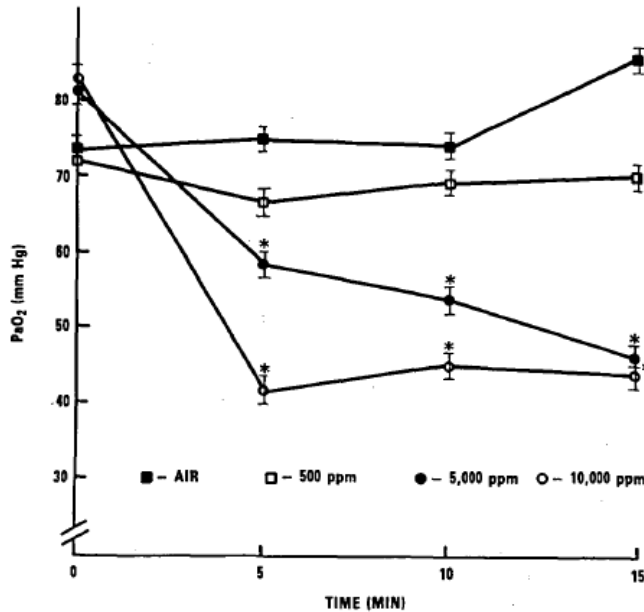


FIGURE 5. Arterial  $PaO_2$  of the baboon during a 15-min exposure to air or HCl atmospheres. Values are means  $\pm$  SD of three animals. Asterisk, significantly different ( $p \leq 0.05$ ) from preexposure, control, and 500-ppm values.

7  
8  
9  
10  
11  
12  
13  
14

The data suggest a possibly increased Minute Volume response at 3 months past exposure to  $\pm 6000 \text{ mg/m}^3$  and  $\pm 15000 \text{ mg/m}^3$  to a  $CO_2$  challenge (high variability, small groups).

1 **Study ID: C.2**

2

3 Author, year: Kaplan 1993

4 Substance: **Hydrogen Chloride**

5 Species, strain, sex: male baboons

6 Number/sex/conc. group: 3 / concentration

7 Age and weight: adult, 7.1-13.1 kg

8 Observation period: 1 year

9

10 **Evaluation of study quality**

Criteria	Comment
Study carried out according to GLP	No GLP statement provided
Study carried out according to guideline(s)	No mention of guideline OECD 403. Study was not aimed at determining acute lethality. Light/dark cycle, temperature, humidity and food/water provision consistent with OECD guideline 403 criteria.
Stability of test compound in test atmosphere	No information. Deposition of HCl on the walls of the exposure chamber was mentioned.
Use of vehicle (other than air)	Air with 50% rel. hum.
Whole body / nose-only (incl. head/nose-only) exposure	Head only
Pressure distribution.	Test chamber was kept at -0.6 mm water pressure
Homogeneity of test atmosphere at breathing zone of animals	1 sampling location.
Number of air changes per hour	Airflow of 40 l/min through 200 l chamber, i.e. 12 air changes/hour
Actual concentration measurement	Continuous monitoring: continuous titration (AFNOR French standard FD X70101, 1982) or microconductivity detector to maintain a constant exposure level. Analytical determination of actual exposure level by titration of HCl adsorbed on dry soda lime sampling tubes (5 fixed time intervals of 3 min).
Particle size distribution measurement in breathing zone of the animals in case of aerosol exposure;	No information
Assessment of Reliability	C Data do not allow to calculate an LC <sub>50</sub> , but study provides essential supporting information

11

12 This is essentially the same study as Kaplan *et al* 1988, but with an observation

13 period extended to 1 year. The upper respiratory tract (biopsy) and lung tissue from

14 the right middle lobe of the lungs (lobectomy) of baboons exposed to 0 (control),

15  $\pm 6000 \text{ mg/m}^3$  and  $\pm 15000 \text{ mg/m}^3$  were studied with light microscopic examination.

16 Significant histopathological changes were only observed in animals exposed to

17  $\pm 15000 \text{ mg/m}^3$ ; the most significant abnormality consisted of fibrosis of the

18 pulmonary parenchyma and pleura.

- 1 In 2/3 animals exposed to  $\pm 6000 \text{ mg/m}^3$  mild or minimal patchy atelectasis and
- 2 minimal mucinous exudate in smaller bronchi or bronchioles were the principal
- 3 findings.
- 4 No histopathological changes were found in the biopsy samples of the respiratory
- 5 tract at any of the exposure conditions.
- 6
- 7 No chest X-ray changes were observed in any of the animals within 1 hour following
- 8 the exposure.
- 9
- 10

## Appendix 2 Reference list

- 1  
2  
3 AHLS. University of Arizona Emergency Medicine Research Center. Advanced Hazmat  
4 Life Support (AHLS). Provider Manual, 4<sup>th</sup> ed. Tucson, AZ, 2014.  
5  
6 Arts, J.H.E., C. Mommers, and H. Muijser. 2000 Toxic Effects from Accidental Releases  
7 of Hazardous Substances (TEARHS) – Lethal and non-lethal effects in rats upon  
8 exposure during short periods of time. TNO Nutrition and Food Research, report  
9 V99.1136. Zeist (2000).  
10  
11 Barrow, C.S., Y. Alarie, J.C. warrick, and M.F. Stock: Comparison of the Sensory  
12 irritation Response of Mice to Chlorine and Hydrogen Chloride. Arch. Environ. Health.  
13 1977; 32: 68-76.  
14  
15 Gardner. R.J.: Rat sensory irritation study: HCl.Haskell Lab report No. 577-80.  
16 Newark, Del, E.I. du Pont de Nemours and Co. (1980).  
17  
18 Hartzell, G.E., A.F. Grand, and W.G. Switzer. 1985. Modeling of toxicological effects  
19 of fire gases: VI. Further studies on the toxicity of smoke containing hydrogen  
20 chloride. J. Fire Sci. 1985; 5: 368-391.  
21  
22 Higgins, E.A., V. Fiorca, A.A. Thomas, and H.V. Davis. 1972. Acute toxicity of brief  
23 exposures to HF, HCL, NO2, and HCN with and without CO. Fire Tech. 1972; 8:  
24 120-130.  
25  
26 Jean, PA, RH Gallavan, GB Kolesar *et al* Chlorosilane Acute Inhalation Toxicity and  
27 Development of an LC50 Prediction Model. Inhal Tox 18;2006:515-522.  
28  
29 Kaplan, H.L.,A. Anzueto, W.G. Switzer, and R.K. Hinderer. 1988. Effects of Hydrogen  
30 Chloride on Respiratory Response and Pulmonary Function of the Baboon. J. Toxicol.  
31 Environ. Health 1988; 23: 473-493.  
32  
33 Kaplan, H.L., W.G. Switzer, R.K. Hinderer, A. Anzueto. 1993. A Study on the Acute  
34 and Long-Term Effects of Hydrogen Chloride on Respiratory Response and Pulmonary  
35 Function and Morphology in the Baboon. J. Fire Sci. 1993; 11: 459-484.  
36  
37 Lapin, C.A. Inhalation toxicity of common combustion gases. E.I. Dupont de Nemours  
38 and Company, Haskell Laboratory for Toxicology and Industrial Medicine, report  
39 238-81. Newark (1981).  
40  
41 Nakashima H., K. Omae, T. Takebayashi *et al* Acute and subacute inhalation toxicity  
42 of dichlorosilane in male ICR mice. Arch Toxicol 70;1996:218-223.  
43  
44 NRC. National Research Council. Acute Exposure Guideline Levels for Selected  
45 Airborne Chemicals. Volume 4 (HCl). Washington, DC. The National Academies Press,  
46 2004.  
47  
48 NRC. National Research Council. Acute Exposure Guideline Levels for Selected  
49 Airborne Chemicals. Volume 11 (chlorosilanes). Washington, DC. The National  
50 Academies Press, 2012.  
51  
52 Terrill, J.B: Sensory Irritation. Haskell Lab report No. 773-76. Newark, Del, E.I. du  
53 Pont de Nemours and Co. (1976).  
54  
55 Wohlslagel, J., L.C. DiPasquale, and E.H. Vernot. 1976. Toxicity of solid rocket motor  
56 exhaust: Effects of HCl, HF, and alumina on rodents. J. Combust. Toxicol. 1976; 3:  
57 61-70.